

Your Technical Partner

Nordic Design Danish Quality

Portfolio & Catalogue
NorSmart ApS - 2022

norsmart.dk

Consultancy Service

We offer wide range of service within design, develop and analysis.
Our service include:



3D-modeling in SolidWorks / Inventor

2D drawing in AutoCAD



sheet metal, part design, assembly

product development, machine design



workshop drawing, BOM

technical & patent documentation



render, catalogue & manual

project management, technical support



Structure design, mechanism design

electric & hydraulic driven solutions



FEA, test og optimization

static, dynamic, fatigue



contacting suppliers, ordering material

price calculation, budget estimation

Prototyping / Production

With our partner in Denmark and our facility in Turkey we offer finish prototype and cheap production.



lasercut, plasma, water-jet

CNC bend, rolling



steel casting

iron casting



TIG og MIG welding

bolt shooting, making threads



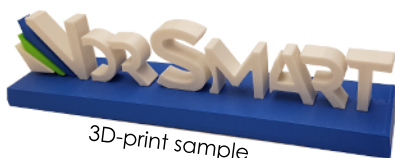
heat treatment

annealling, hardening



deburring, grinding & polishing

electropolishing, static painting



CNC turning & milling

3D print in plastic (ABS & PLA)

More questions?

If you have question about our services, contact us, we would like to help you.



Contact Form



norsmart.dk

|

aa@norsmart.dk

|

+45 42 71 91 21

Design & development projects



Coffee Bar

Steel cabinet for coffee machine

Design, render, price calculation
steel cabinet with stainless steel top
shelf, cup dispenser & LED light



TV-Stand

Stand with lift og tilt

Design og construction
Stand with wheel to moving
Remote control for lift & tilt functions



Transport Lift

Electric lift with battery

Design, prototyping, test
With brake mechanism
Price calculation & optimization

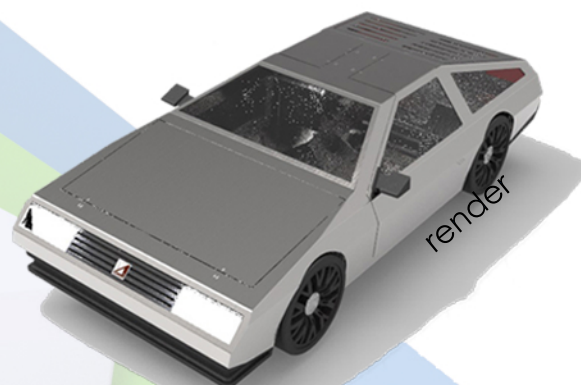
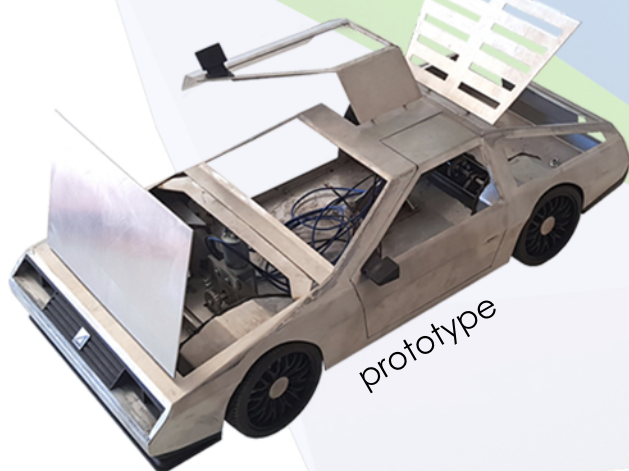
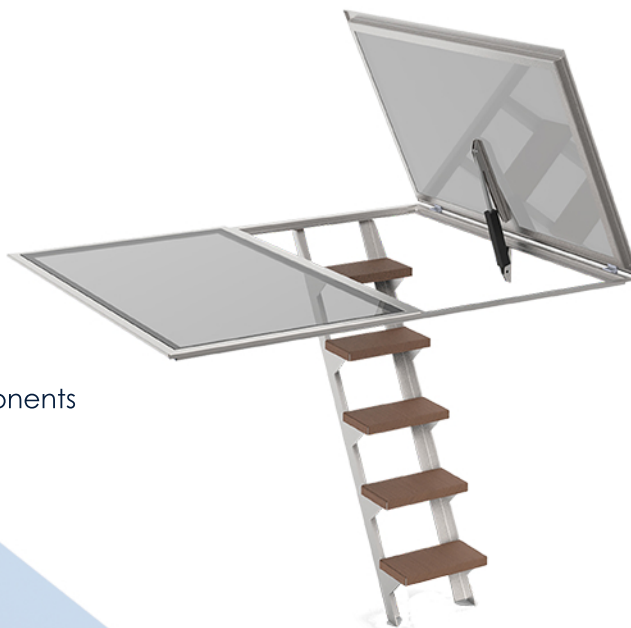


Design & prototyping projects

Wine Cellar

Glass floor with lift

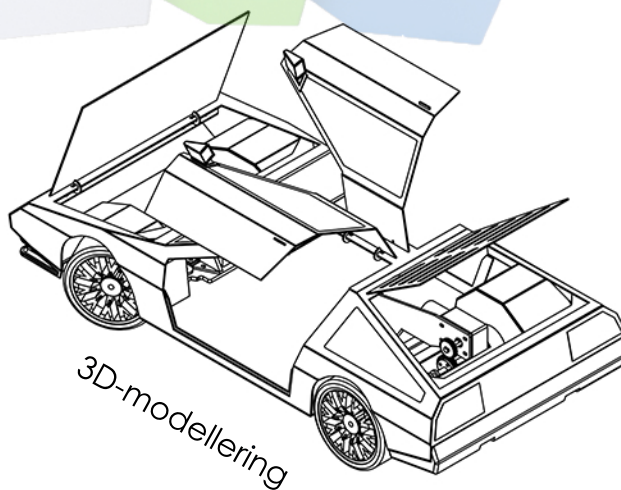
- Design & render
- calculation & analysis
- Selecting standard components
- Price calculation



Back to future

Steel model car - DeLorean (1:8)

- 3D-modeling
- mechanism design
- sheet metal / bend / weld
- 3D-print



Manufacturing / production projects

Cast chain

Steel casting (100kg)

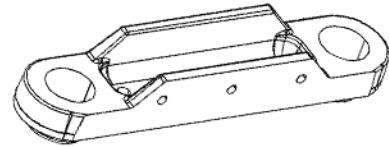
3D modeling / Tolerance specifying

Mold design / manufacturing

Casting / material chemical analysis

Heat treatment (annealing)

CNC milling / quality control



Rotary Valve

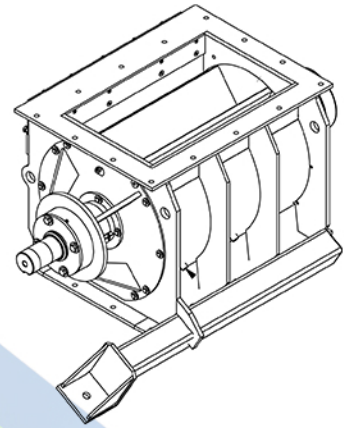
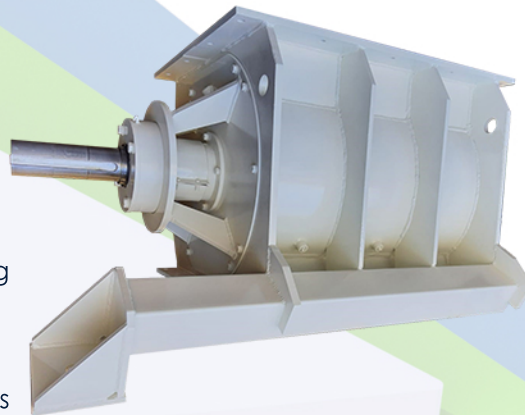
Reverse Engineering

Modeling and drawing

Plasma cutting / CO2 welding

CNC turning & milling

Quality standard components



Stainless Wheel

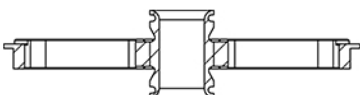
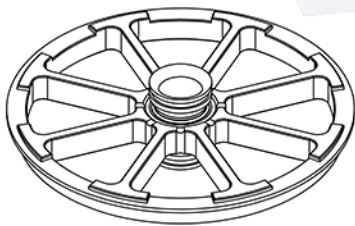
Certified for food industry

Modeling / Drawing

Lassercut / welding

Turning / milling

Electropolishing





contact us!

NorSmart ApS

CVR: 41724188



Niels Jernes Vej 10
9220 - Aalborg Øst
NOVI Science Park



+45 - 42 71 91 21



aa@norsmart.dk



instagram
norsmart.aps

norsmart.dk